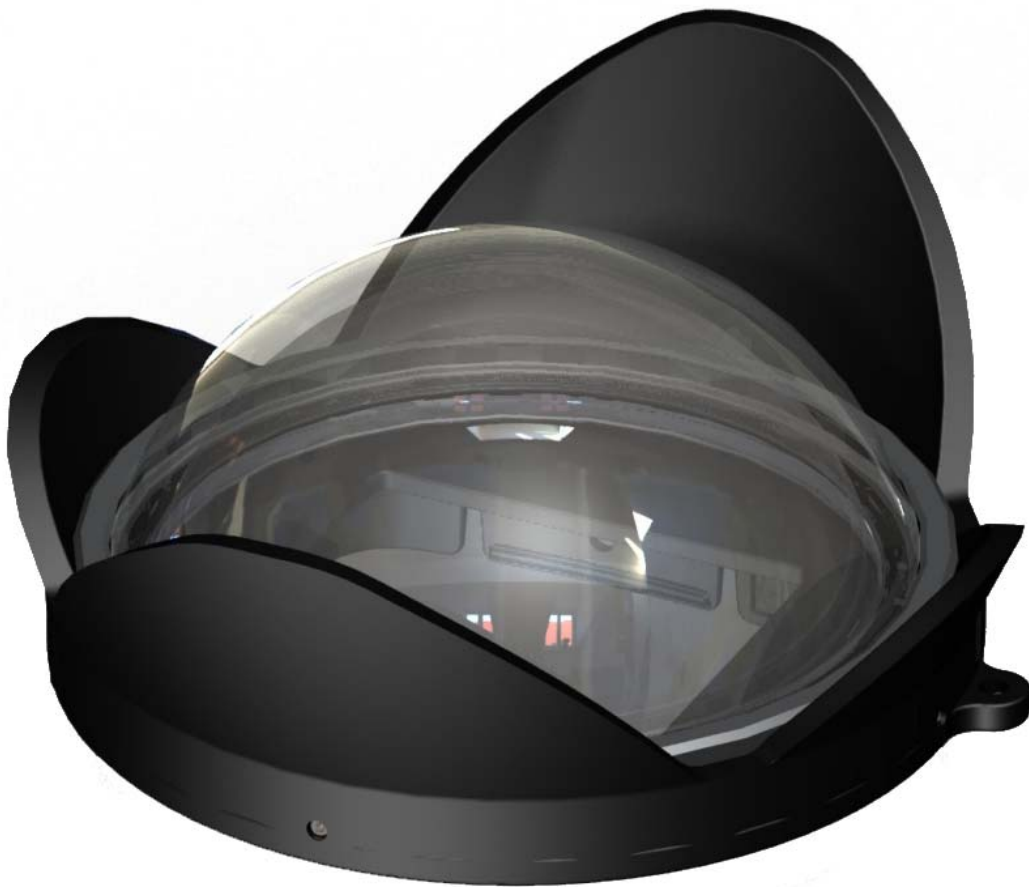


Fantasea Line

BigEye Lens - FXF100/200

Operator's Manual

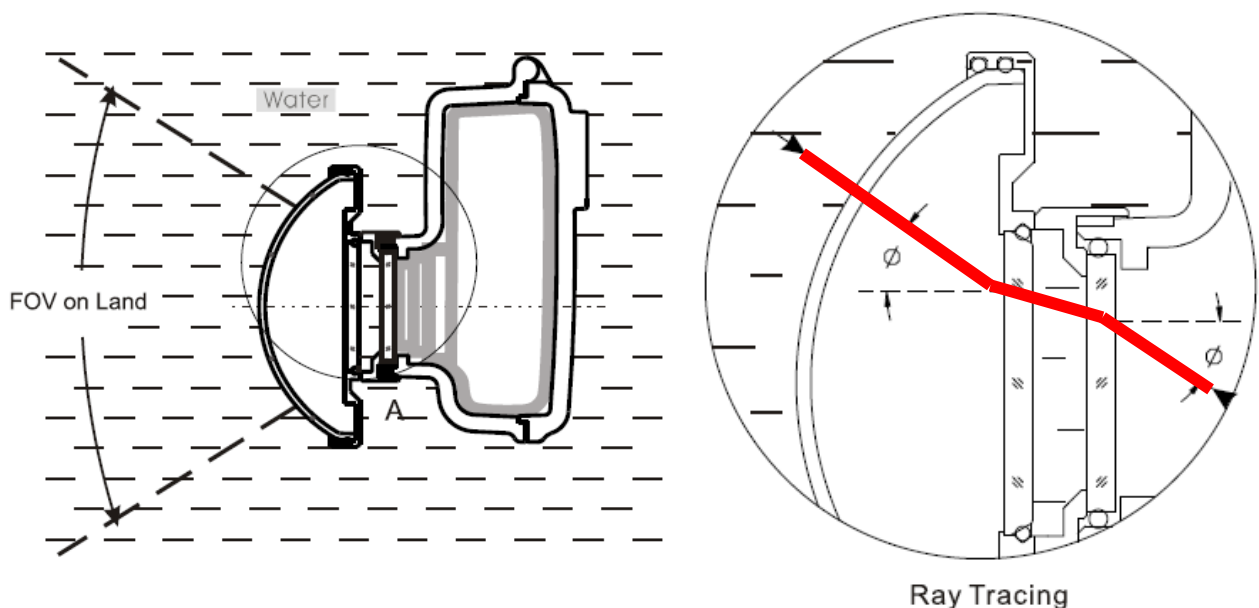


1. Introduction

The Fantasea BigEye Lens - FXF100/200 is a patented “wet” accessory wide angle lens that was specially designed for the FujiFilm WP-FXF100 and WP-FXF200 underwater camera housings. The lens fits onto the housing lens port and can be installed and removed during the course of the dive. It is perfect for photographing seascapes, divers, ship wrecks and schools of fish without moving further away from the subject, thereby still taking full advantage of water clarity and artificial light sources.

2. Technology

The BigEye Lens - FXF100/200 makes use of a new patented lens technology, which allows for high quality underwater wide angle images free of distortions. The new technology uses air instead of glass as an optical element and enables recovering 100% of the camera lens optical properties underwater. The air pocket inside the lens enhances the angle of light refraction, thereby restoring the original angle of coverage of the camera lens (see figures below). This patented technology was specially designed for underwater photography and therefore the lens should only be used when the system is submerged in water.



3. Included in Box

- BigEye Lens - FXF100/200
- Neoprene Lens Cover
- Secure Line
- Warranty
- Instruction Manual

4. Specifications

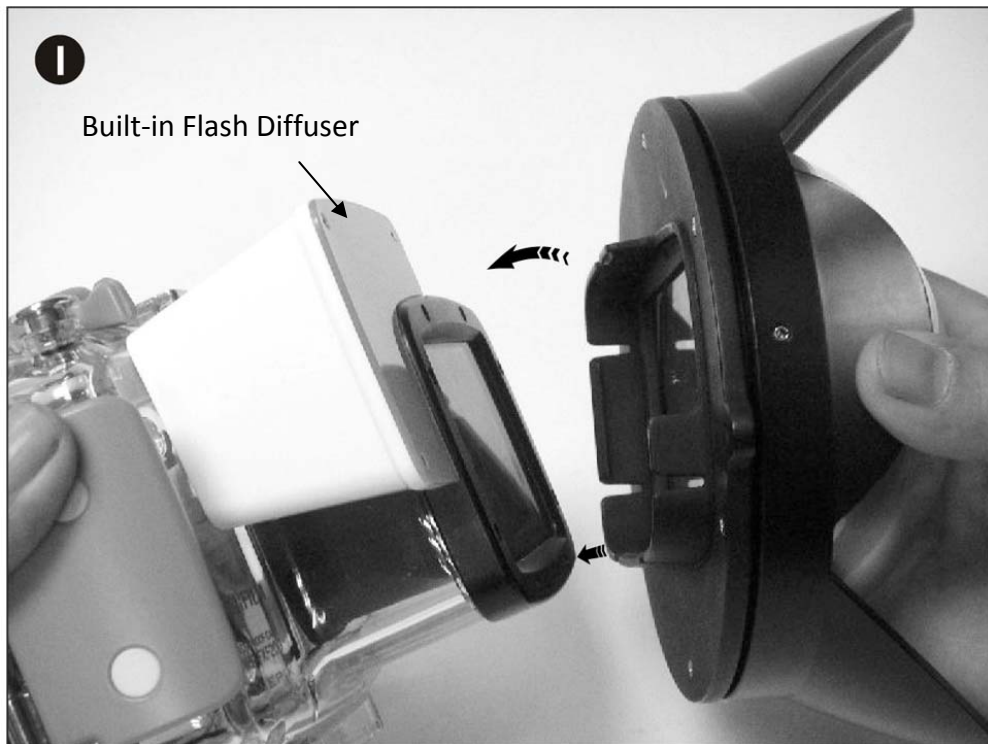
- For the FujiFilm WP-FXF100 and WP-FXF200 housings
- Depth rated to 60 meters / 200 feet
- Field of view recovery (magnification): 105% (x 0.7)
- Angle of coverage: 80 degrees
- Lens material: Optical glass, hard coated plastic and anodized aluminum
- Weight: 492g
- Dimensions: 157x67mm

5. Instructions of Use

- A. Please use the utmost care and do not use excessive force when assembling and disassembling the lens, in order not cause any damage to the product.
- B. Attach the secure line to the lens and the housing, in order to secure the lens to the housing.
- C. During the dive, install the BigEye Lens by attaching it to the housing lens port, as shown on the figure on the following page.

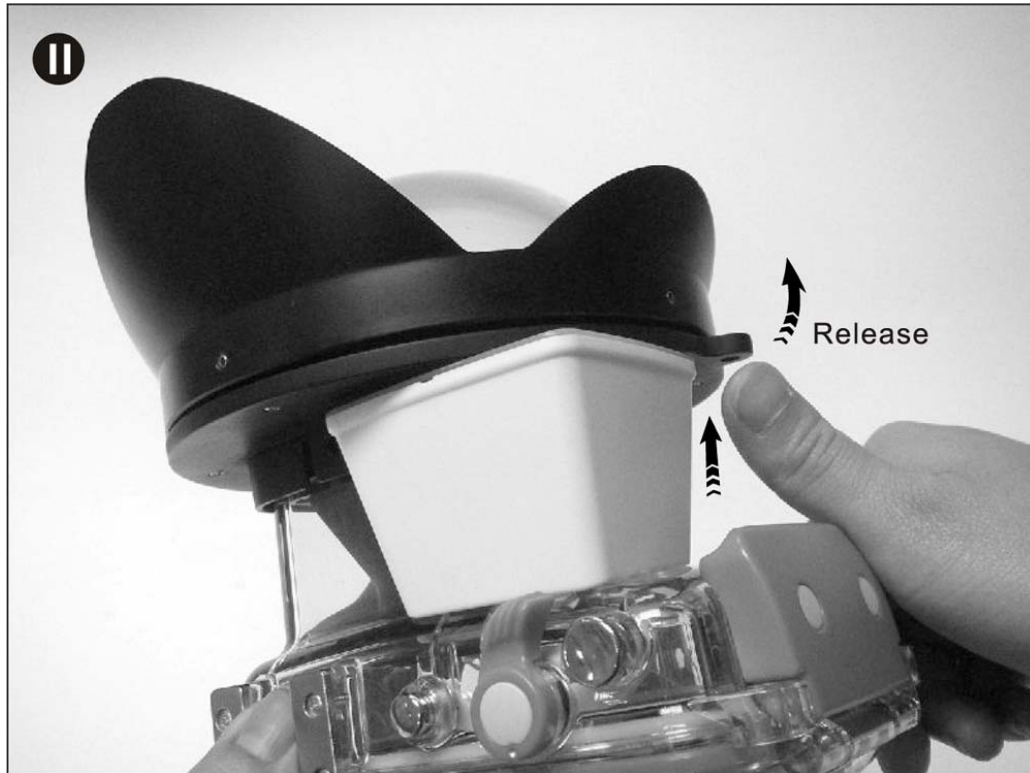
Important Notice:

Prior to installing the lens, make sure you are holding the lens according to the shape of the lens port, so the gap designed on the lens adaptor corresponds with the housing built-in flash diffuser. To install the lens, push it against the lens port starting from the bottom right corner (when facing the housing) and proceeding towards the top left corner, where the housing built-in flash diffuser is located. After lens installation, make sure it is properly attached by gently trying to pull it out. If properly installed, the lens should not easily come off the lens port.



- D. **Please note that the BigEye Lens was designed to work underwater only.** Therefore, the lens should only be installed underwater, while letting water enter the gap between the macro lens and the housing's lens port. Make sure that there are no air bubbles trapped between the BigEye Lens and the housing lens port before taking images.
- E. During the beginning of your dive, your lens might become foggy as a result of an increase in the air temperature inside the lens, followed by submersion in cooler water. Storing the lens in a cool dry place when not being used and submerging it in cool water for 10 minutes prior to the dive, will assist in preventing such condensation.
- F. **When taking photos with the BigEye Lens installed, set your camera focus mode to "Macro". Failing to do so will result in blurred images.**
- G. The BigEye Lens can be removed and installed repeatedly throughout the course of the dive. Whenever removing the lens, set your camera focus to the desired mode, if it is not "Macro".

- H. In order to remove the lens from the housing lens port, gently push it off, starting from the secure line loop on the right side of it, using your thumb in an outward direction as shown on the image below.

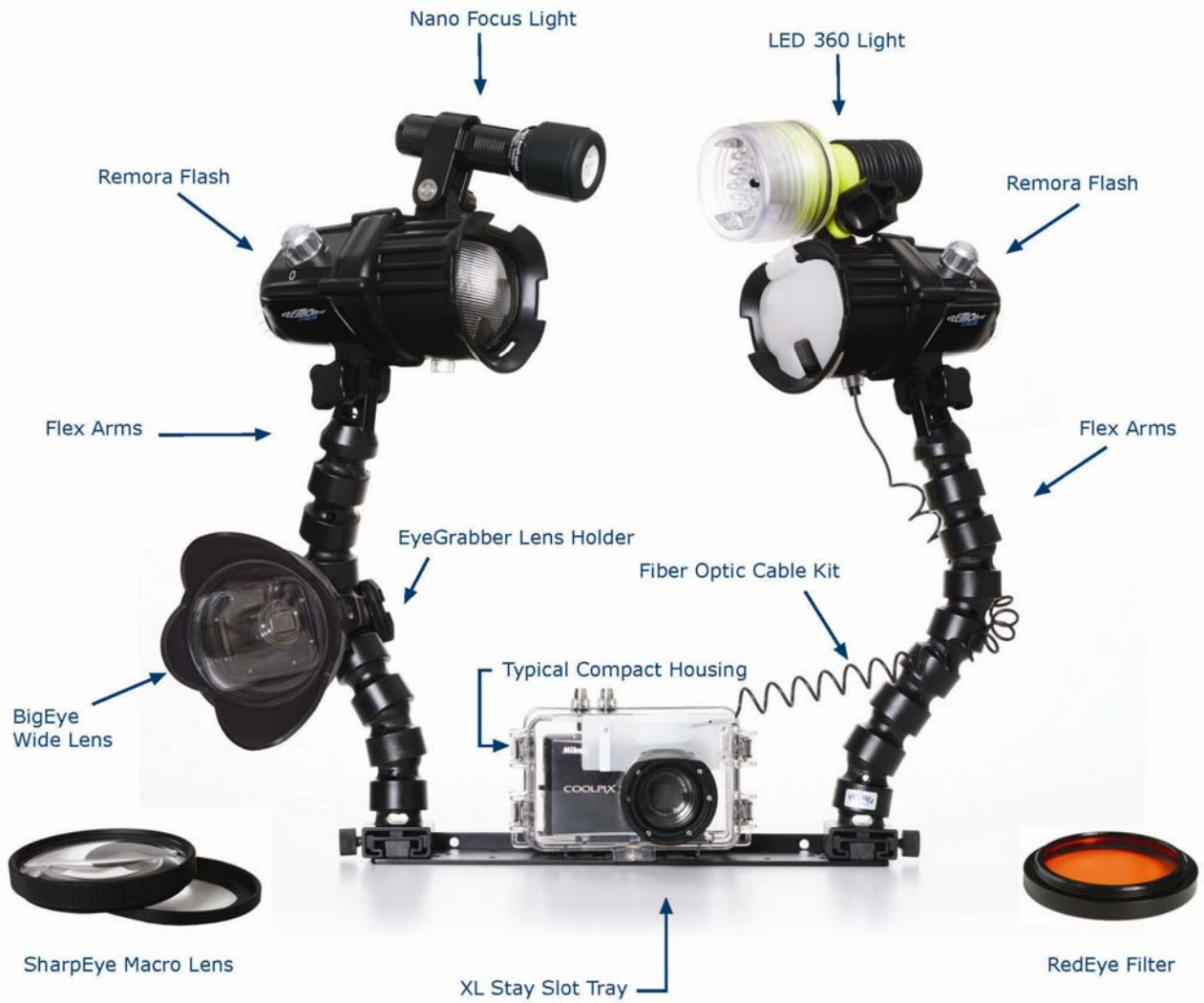


- I. When removing the BigEye Lens from the housing, it can be secured by attaching it to the **EyeGrabber FXF-100/200**, which mounts on Fantasea Flex Arms, thereby making it easily available for future use. For further information, please visit our website at www.fantasea.com\FantaseaEyes
- J. It is recommended to use an external strobe when the BigEye Lens is mounted on the housing. The BigEye Lens blocks the camera internal flash, resulting in underexposed or shaded images.
- K. When using an external flash, make sure that the beam of the flash is not pointed directly towards the BigEye Lens in order to prevent lens glare.

6. Care & Maintenance

- A. Please use the utmost care and do not use excessive force when assembling and disassembling the different accessories, in order not cause any damage to the product.
- B. Keep the BigEye Lens away from extreme high temperatures, as under direct sunlight, since it might damage the O-ring and interfere with the watertight seal of the lens.
- C. Do not clean the lens with any chemical solvents or other materials, which might cause damage to the plastic dome.
- D. Never look at the sun through the lens.
- E. When storing the lens and during transportation, make sure that it is properly protected in order to prevent scratches, cracks or any other damage to the lens.
- F. **After Dive Care:**
 - I. Detach the BigEye Lens from the housing lens port and rinse all lens components in fresh water.
 - II. To ensure that the accumulated salt has completely dissolved, it is recommended to soak the lens in warm fresh water once in a while.
 - III. Wipe the water drops with a soft cloth. Do not leave any droplets to dry on lens surface, as permanent water spots may remain.
 - IV. Store the lens in a dry and protected area. Storing the lens in a low humidity environment will decrease the chances of the lens fogging up when submerged in water.
 - V. Do not store the lens in presence of chemicals, solvents or fuels.

Complete Compact Digital Housing Accessory System



For further information, please contact us at www.fantasea.com/contact
or visit our website www.fantasea.com